

WEATHER HEAD

BLACK WIRE

BLACK WIRE

WHITE WIRE

ALL EXPOSED CONDUIT MUST BE OF GRAY SUNLIGHT RESISTANT SCHEDULE 40 OR GALVANIZED MAST

NEUTRAL WIRE SHALL BE EITHER WHITE OR IDENTIFIED WITH WHITE TAPE ON EACH END.

WHEN USING ALUMINUM WIRING ALL CONNECTIONS MUST BE COATED WITH NOALOX TYPE GREASE

METER BASE SHOULD BE APPROXIMATELY 6 FEET FROM GROUND

NIPPLE

LOCKNUT AND BUSHING

DISCONNECT BOX SHALL HAVE A MINIMUM OF SIX (6) AVAILABLE SPACES PROVIDED FOR ADDITIONAL BREAKERS

GROUND BOND SCREW MUST BE IN PLACE ON BONDING BAR

WHITE
WHITE
GREEN
BARE

WEATHER PROOF DISCONNECT SWITCH BOX

CONTINUOUS

#4 BARE GROUND WIRE

(2) 8 Ft. G ROD

CONTINUOUS 1/2" WIRE

6 Foot Apart Minimum

CHECK WITH YOUR LOCAL POWER COMPANY ABOUT THE LOCATION OF THE METER BASE PRIOR TO SETTING DISCONNECT

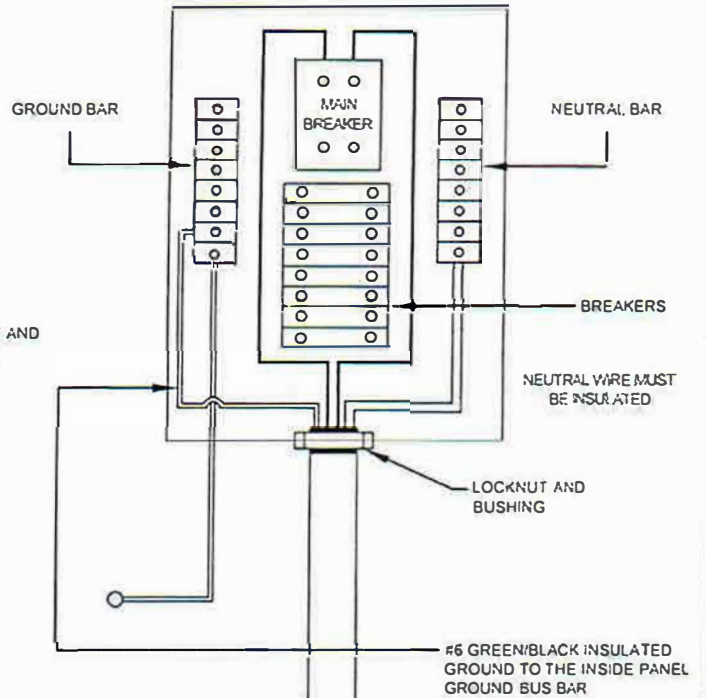
WIRING REQUIREMENTS
100 AMP CIRCUIT

	CONDUCTORS	NEUTRAL
COPPER	#4	#4
ALUMINUM	#2	#4

WIRING REQUIREMENTS
200 AMP CIRCUIT

	CONDUCTORS	NEUTRAL
COPPER	2/0	1/0
ALUMINUM	4/0	2/0

PANEL INSIDE MOBILE HOME



DEPTH OF WIRE:
24" DIRECT BURIAL
18" PVC
6" INTERMEDIATE METAL CONDUIT

MOBILE HOME WIRING SCHEMATIC

